

ACOUSTIC WALL MOUNT

Series: 3802-03/TD1



- Mount base secures structure in place.
- Improves internal elasticity and soundproofing.
- Corrects unevenness in structure.
- Reduces noise above 16db.
- Can work with multiple thickness in same structure.
- Central shaft secures structure in place in event of fire.
- Optimal load: 3kg to 25kg per mount.

MATERIAL

- Polymer Body: Kraiburg TPE
- Bracket: Steel DX51D+Z275 NA C 275g/m² with EPDM CR-130 backing on TPE plate.
- Steel screw 8x40: Zinc plated Cr+3 Standard: DIN603
- Bowl-shaped leveller SR/M8 Zinc plated steel DC04 AM O.

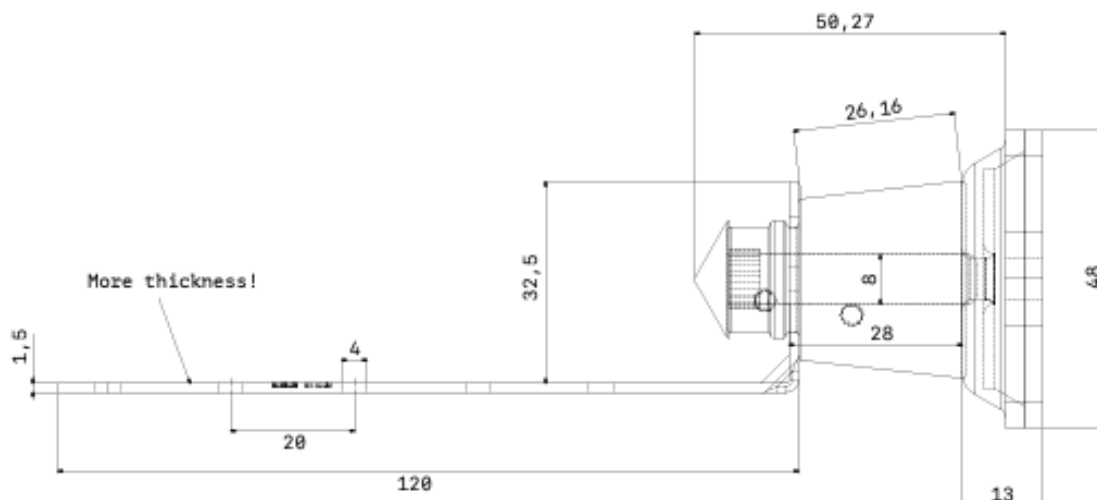
- [PERFORMANCE DATA](#)

- [TPE PROPERTIES](#)

- [APPLICATION GUIDE](#)

SE-3802/TD1

- Load range: Axial Compression towards the wall – 5-32kg
- Load range: Axial compression towards the stud – 5-15kg
- Resonance Frequency: 7-15Hz.
- Break Point: >250kg
- [ENGINEERING DRAWING](#)



SE-3803/TD1

- Load range: Axial Compression towards the wall – 5-32kg
- Load range: Axial compression towards the stud – 5-15kg
- Resonance Point: 7-15Hz
- Break Point: >250kg
- [ENGINEERING DRAWING](#)

